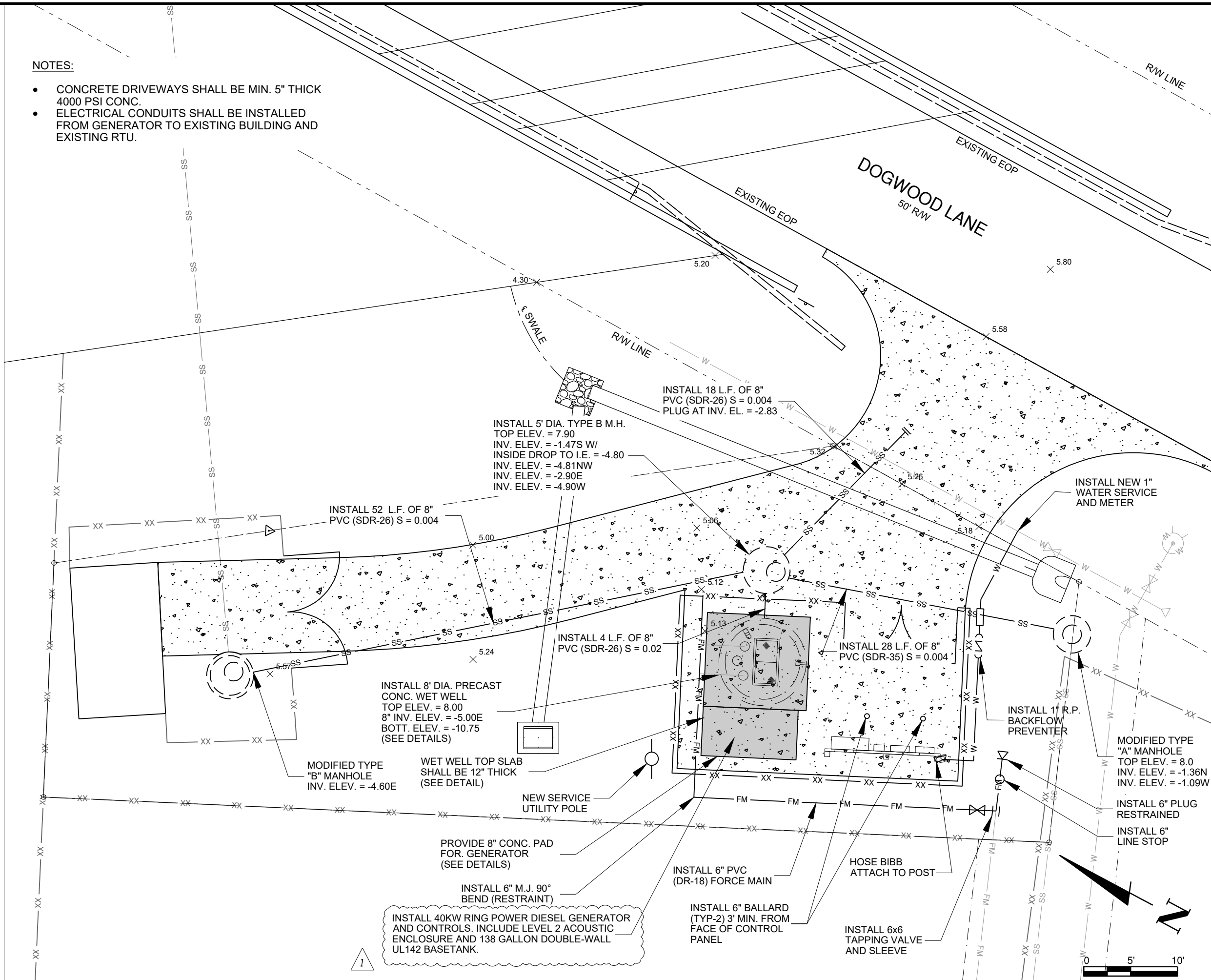


NOTES:

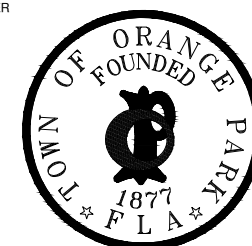
- CONCRETE DRIVEWAYS SHALL BE MIN. 5" THICK 4000 PSI CONC.
- ELECTRICAL CONDUITS SHALL BE INSTALLED FROM GENERATOR TO EXISTING BUILDING AND EXISTING RTU.



100% PLANS
6/18/2021

DOGWOOD PUMP STATION

OWNER



TOWN OF ORANGE PARK
ORANGE PARK, FL

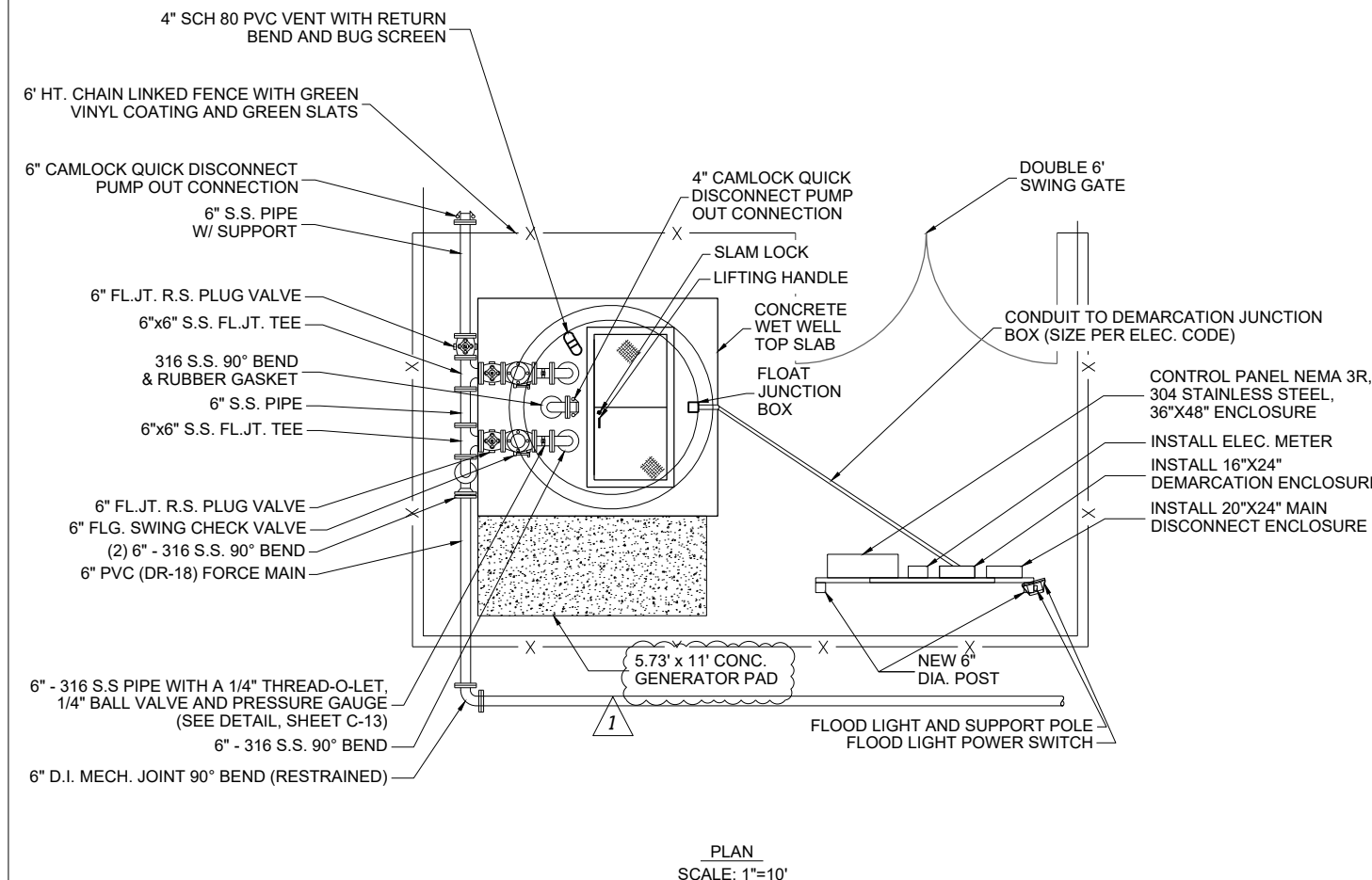
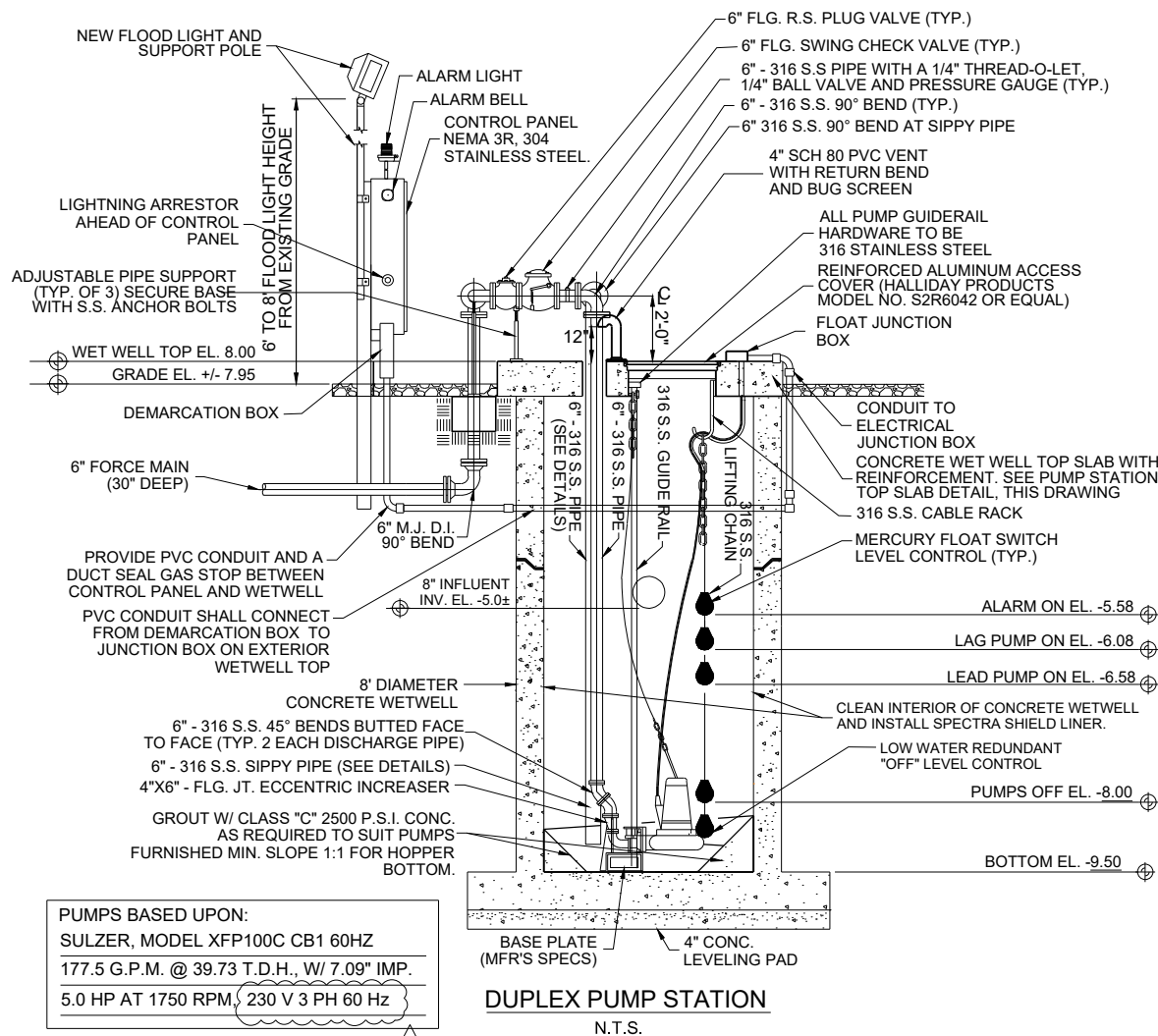
1 ADDENDUM 1

MARK DATE DESCRIPTION

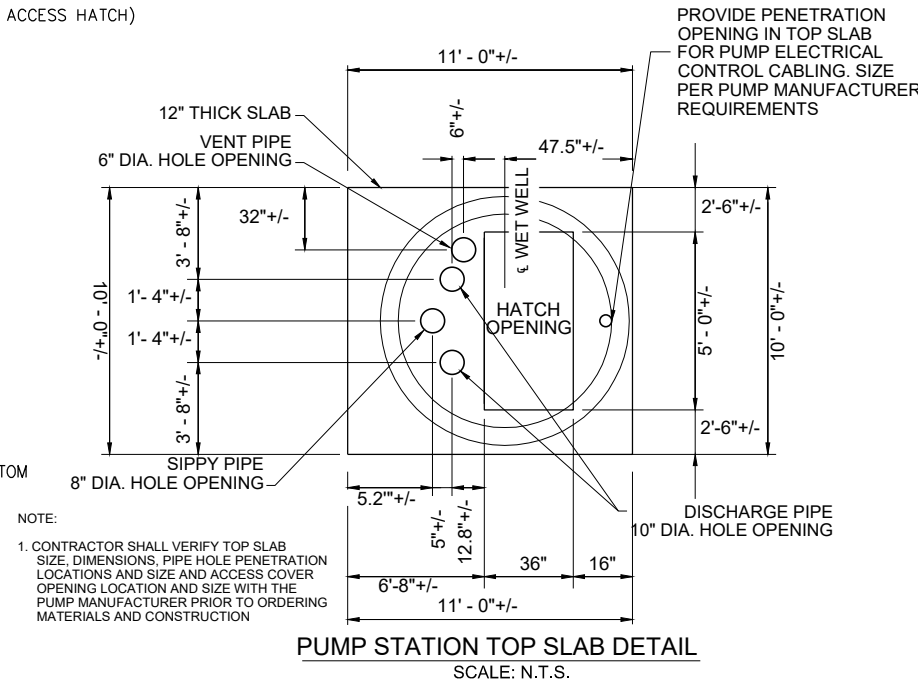
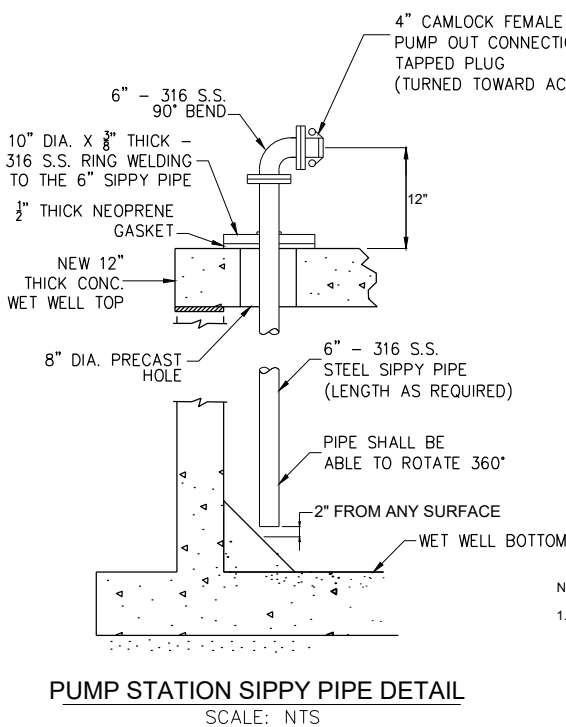
PROJECT NO: 21001218.00
CAD DWG FILE: SHT07_DOGWOOD_PS_UTILITY_PLAN.DWG
DESIGNED BY: RWS
DRAWN BY: RDS
CHECKED BY: GLS
APPROVED BY: PEI
COPYRIGHT: CRAWFORD, MURPHY & TILLY, INC. 2019

UTILITY PLAN

C-8



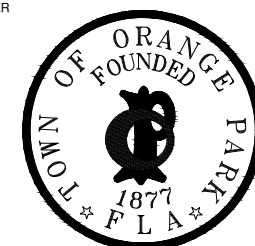
- NOTES:**
- ACCESS COVER FOR THE WET WELL TO BE 1/4" ALUM. TREAD PLATE W/ STAINLESS STEEL HARDWARE. COVER SHALL BE PROVIDED W/ LIFTING HANDLE, LOCKING HASP & SAFETY LATCH TO HOLD COVER OPEN. COVER & FRAME SHALL BE MANUFACTURED BY HALLIDAY PRODUCTS OR APPROVED EQUAL. OPENING IN WETWELL SLAB AS PER MANUFACTURERS SPECIFICATIONS.
 - INSTALL PRESSURE GAUGE AND VALVE ON EACH DISCHARGE LINE. GAUGE SHALL PROVIDE PRESSURE READINGS IN "FEET" OF WATER COLUMN AND SHALL BE ASHCROFT MODEL TYPE 1279-S OR APPROVED EQUAL.
 - CONTRACTOR SHALL VERIFY EXISTING FORCE MAIN PIPE LOCATION AND SIZE AT PROPOSED RECONNECTION PRIOR TO CONSTRUCTION.
 - THE CONTROL PANEL MAIN DISCONNECT PANEL AND DEMARCATION ENCLOSURE SHALL BE MOUNTED BY THE CONTRACTOR. NEW CONDUIT AND POWER CABLE SHALL BE PROVIDED BY AND INSTALLED BY THE CONTRACTOR.
 - THE CONTROL PANEL AND ALL SUPPORTING ELECTRICAL WIRING AND COMPONENTS SHALL BE SOLELY SUPPLIED BY SUN STATE SYSTEMS INC. ONLY.
 - THE SULZER PUMPS SHALL BE PURCHASED THROUGH SUN STATE SYSTEMS, INC.
 - PENETRATIONS OF CONCRETE TOP SHALL BE SIZED RELATIVE TO 6-INCH DISCHARGE PIPE.
 - SEE SPECIFICATION SECTION 02595 SEWAGE LIFT STATION FOR TYPICAL ELECTRICAL DESIGN EXAMPLE.
 - CONTRACTOR SHALL INCLUDE SCADA AND RECONNECT ANTENNA FOR THE PUMP STATION. COORDINATE WITH THE TOWN OF ORANGE PARK PUBLIC WORKS FOR SPECIFIC MANUFACTURER, DETAILS AND INSTALLATION.
 - COAT INTERIOR OF NEW CONCRETE WET WELL AND JUNCTION MANHOLE WITH 500 MILS OF SPECTRASHIELD LINER.
 - CONTRACTOR SHALL VERIFY CONTROL PANEL SIZE AND LOCATION WILL NOT CONFLICT WITH ELECTRIC METER LOCATION.
 - CONTRACTOR TO SUBMIT SHOP DRAWINGS OF WET WELL AND TOP. SHOP DRAWINGS TO INCLUDE ALL NECESSARY STRUCTURAL CALCULATIONS AND STEEL REINFORCEMENT DESIGN FROM A STATE OF FLORIDA STRUCTURAL ENGINEER.



NOTE:
1. CONTRACTOR SHALL VERIFY TOP SLAB SIZE, DIMENSIONS, PIPE HOLE PENETRATION LOCATIONS AND SIZE AND ACCESS COVER OPENING LOCATION AND SIZE WITH THE PUMP MANUFACTURER PRIOR TO ORDERING MATERIALS AND CONSTRUCTION

100% PLANS
6/18/2021

DOGWOOD PUMP STATION



TOWN OF ORANGE PARK
ORANGE PARK, FL

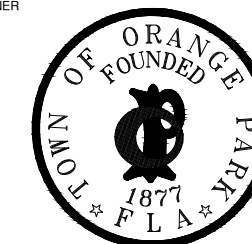
1	ADDENDUM 1	
MARK	DATE	DESCRIPTION
PROJECT NO:	21001218.00	
CAD DWG FILE:	SHT08_DOGWOOD_PS_MSPSDBGP.DWG	
DESIGNED BY:	RWS	
DRAWN BY:	RDS	
CHECKED BY:	GLS	
APPROVED BY:	PEI	
COPYRIGHT:	CRAWFORD, MURPHY & TILLY, INC. 2019	

PUMP STATION PLAN, SECTION, & DETAILS

100% PLANS
6/18/2021

DOGWOOD PUMP STATION

OWNER



TOWN OF ORANGE PARK
ORANGE PARK, FL

1 ADDENDUM 1

MARK DATE DESCRIPTION

PROJECT NO: 21001218.00
CAD DWG FILE: SHT09-10_DOGWOOD_PS_DTL_SRD01.DWG
DESIGNED BY: RWS
DRAWN BY: RDS
CHECKED BY: GLS
APPROVED BY: PEI
COPYRIGHT: CRAWFORD, MURPHY & TILLY, INC. 2019

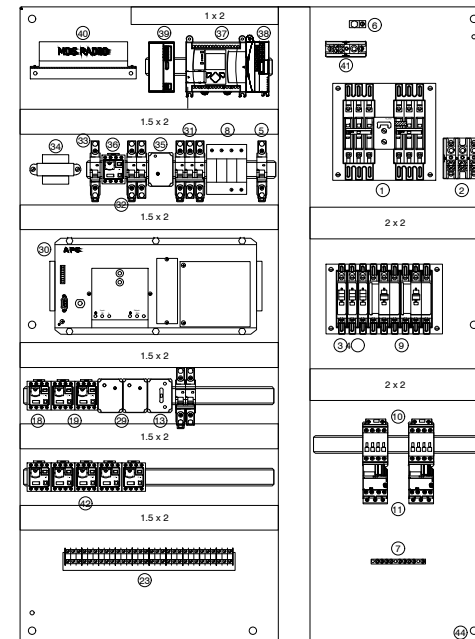
SHEET TITLE

DETAILS

C-10

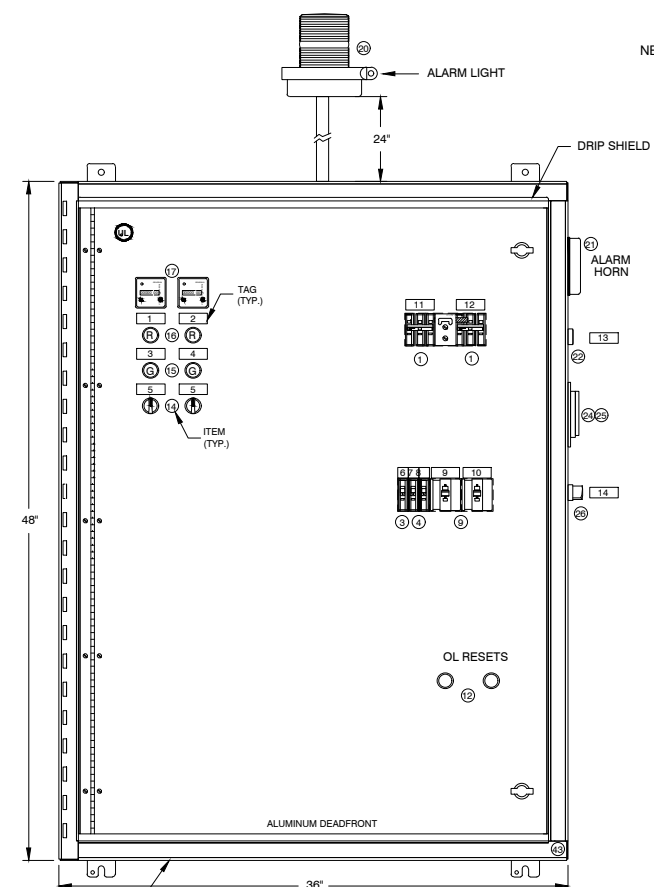
ITEM	DESCRIPTION
1	3 POLE, 200A, CIRCUIT BREAKER
2	3 POLE, DISTRIBUTION BLOCK
3	1 POLE, 10A, CIRCUIT BREAKER
4	1 POLE, 15A, CIRCUIT BREAKER
5	1 POLE, 5A, CIRCUIT BREAKER
6	GROUND LUG
7	GROUND BUSS
8	SURGE PROTECTIVE DEVICE
9	3 POLE, 20A, CIRCUIT BREAKER
10	3 POLE CONTACTOR
11	OVERLOAD RELAY
12	OVERLOAD RELAY RESET MECHANISM
13	DUPLEX ALTERNATOR W/ INTEGRAL SEQUENCE SWITCH
14	22mm 3 POSITION SELECTOR SWITCH, BLACK, MAINTAINED
15	22mm PILOT LIGHT, GREEN LED, 120V
16	22mm PILOT LIGHT, RED LED, 120V
17	ELAPSED TIME METER w/ BLACK BEZEL, 120V
18	2 POLE PLUG IN RELAY, 120V
19	3 POLE PLUG IN RELAY, 120V
20	ALARM LIGHT, RED, 120V
21	ALARM HORN, GRAY, 120V
22	22mm PUSHBUTTON BLACK, MOMENTARY
23	3 POLE, CONTROL TERMINALS
24	GFI DUPLEX RECEPTACLE
25	WEATHERPROOF GFI COVER
26	22mm 2 POSITION SELECTOR SWITCH, BLACK, MAINTAINED
27	GENERATOR RECEPTACLE
28	ANGLE ADAPTER
29	SEAL FAIL RELAY
30	UNINTERRUPTIBLE POWER SUPPLY
31	3 POLE, 1A, CIRCUIT BREAKER
32	2 POLE, 1A, CIRCUIT BREAKER
33	1 POLE, 2A, CIRCUIT BREAKER
34	CONTROL TRANSFORMER, 40VA, 120V-24V

ITEM	DESCRIPTION
36	2 POLE PLUG IN RELAY, 230V
37	MICROLOGIX 1100 PLC
38	MICROLOGIX 1100 EXPANSION I/O MODULE
39	DC POWER SUPPLY 2.5A
40	MDS RADIO
41	1 POLE, DISTRIBUTION BLOCK
42	3 POLE PLUG IN RELAY, 24V
43	ENCLOSURE 48"x36"x12", STAINLESS STEEL
44	SUBPANEL

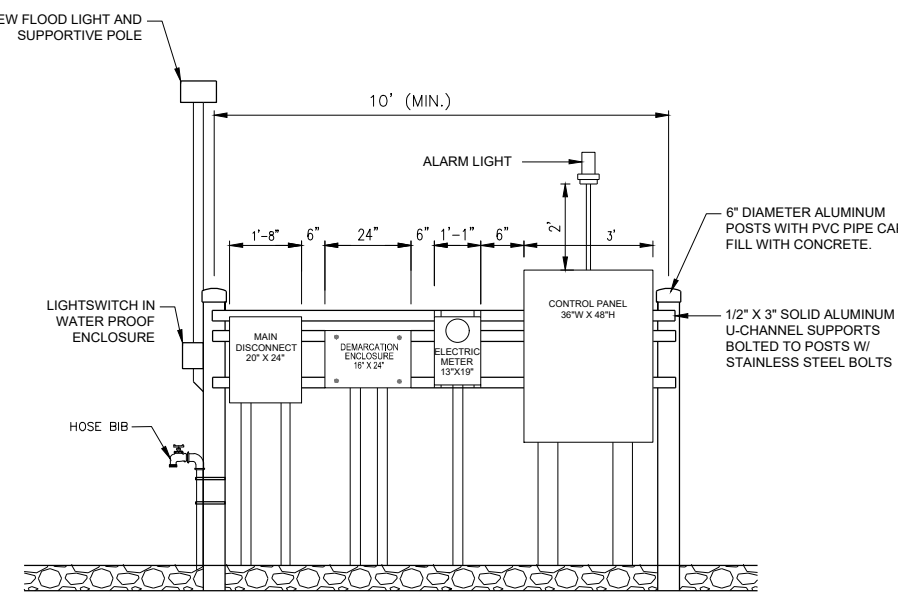


SUBPANEL LAYOUT
SUBJECT TO CHANGE DURING FABRICATION

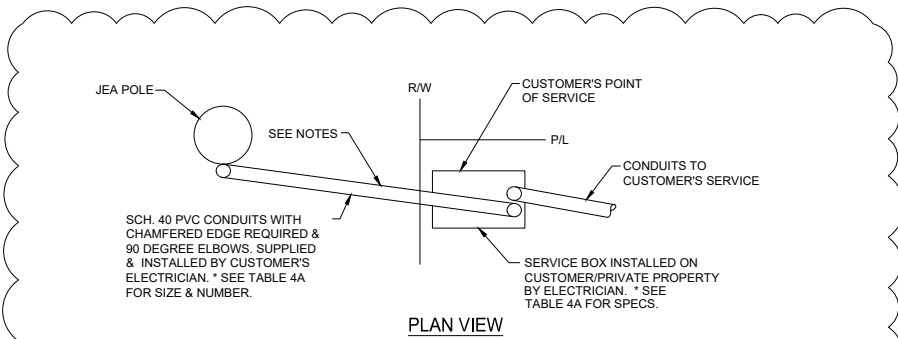
TAG	MESSAGE
1	PUMP 1 SEAL FAIL
2	PUMP 2 SEAL FAIL
3	PUMP 1 RUNNING
4	PUMP 2 RUNNING
5	HAND OFF AUTO
6	CONTROL
7	GFI RECEIPT
8	LIGHTING
9	PUMP 1
10	PUMP 2
11	MAIN
12	EMERGENCY
13	HORN SILENCE
14	FLOODLIGHT ON OFF



ENCLOSURE LAYOUT
UL TYPE 1 FABRICATION
NEMA 4X TYPE 304 STAINLESS STEEL, 12" DEEP
SHOWN WITH OUTER DOOR REMOVED FOR CLARITY
OUTER DOOR EQUIPPED WITH 3 POINT LATCH
INNER AND OUTER DOORS INCLUDE HOLD OPEN KIT

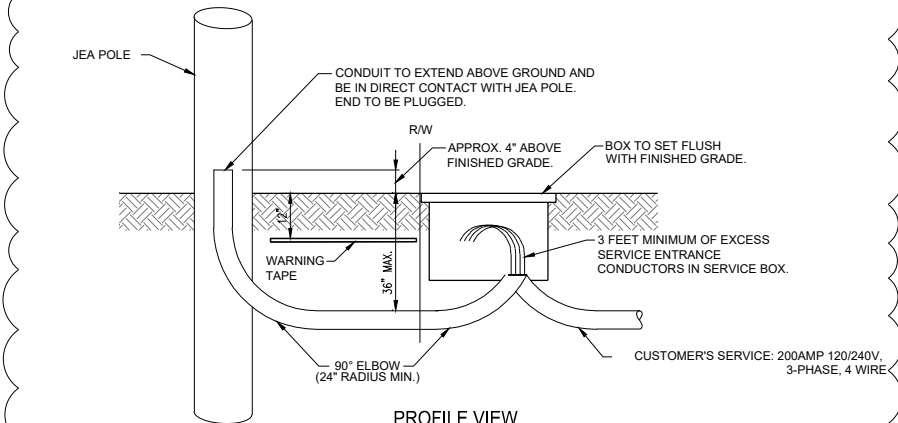


CONTROL PANEL RACK
N.T.S.



SCH. 40 PVC CONDUITS WITH CHAMFERED EDGE REQUIRED & 90 DEGREE ELBOWS. SUPPLIED & INSTALLED BY CUSTOMER'S ELECTRICIAN. * SEE TABLE 4A FOR SIZE & NUMBER.

PLAN VIEW



PROFILE VIEW

NOTES:

- THE MINIMUM DISTANCE BETWEEN THE SERVICE BOX AND SERVICE POLE IS 4 FEET.
- THE CUSTOMER MUST PICK A CLEAR SIDE OF THE JEA POLE FOR THE JEA TO EXTEND UP THE POLE RISER. CLEAR FROM PHONE OR COMMUNICATION CABLES, OR ANY OTHER EQUIPMENT, FROM FINISHED GRADE TO CONNECTIONS TO OVERHEAD FACILITIES. CALL JEA DISTRIBUTION ENGINEER IF LOCATION IS REQUIRED.
- THE JEA WILL MAINTAIN THE POLE RISER AND CONDUCTOR FROM THE OVERHEAD FACILITIES TO A CUSTOMER-PROVIDED SERVICE BOX.
- THE JEA WILL MAKE ALL CONNECTIONS TO THE CUSTOMER'S SERVICE WIRE IN THE SERVICE BOX. SAID CONNECTIONS WILL BE THE CUSTOMER'S POINT OF SERVICE.

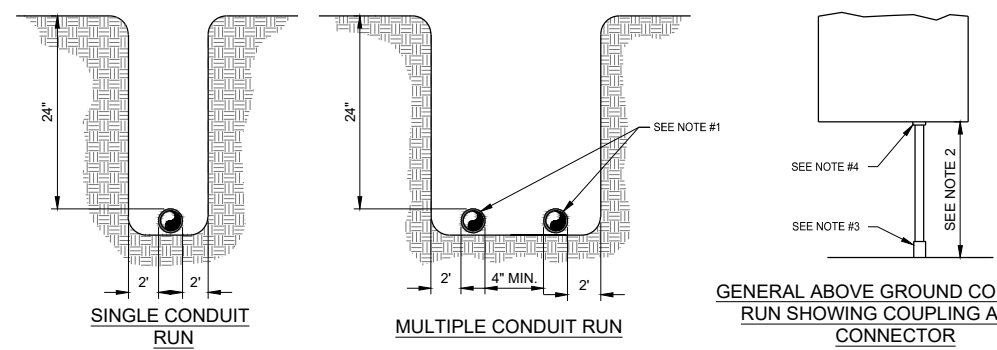
COMMERCIAL SERVICE
ABOVE 100 AMPS AND MULTI-METERED UNDERGROUND
SERVICE FROM AN OVERHEAD POLE
N.T.S.

ELECTRICAL NOTES

- GROUND WIRE SHALL RUN FROM THE CHASSIS CONTINUOUS THROUGH THE METER CAN TO 2 GROUND RODS SPACED 6 FEET APART AND TERMINATE ON A FENCE POST IN CONCRETE.
- ELECTRICAL ENCLOSURES SHALL BE ORIENTED SUCH THAT THE FRONT OF THE ENCLOSURE FACES THE INTERIOR OF THE PUMP STATION SITE.
- QUANTITY AND SIZE OF NEMA 4x 316-STAINLESS STEEL ENCLOSURES AS REQUIRED FOR STATION OPERATION.
- SERVICE DISCONNECT SHALL BE MANUAL FUSE 1 PHASE-4 WIRE

NOTES:

- UNDERGROUND CONDUIT SCHEDULE 80 PVC. MANUFACTURER: CARLON
- CONDUIT ABOVE GROUND TO CABINETS SCHEDULE 80 PVC NEMA TC-2 SUNLIGHT RESISTANT. MANUFACTURER: CARLON
- UNDERGROUND PVC COUPLED TO ABOVE GROUND PVC WITH A PVC COUPLING. MANUFACTURER: CARLON
- ABOVE GROUND PVC CONNECTED TO RTU AND MCC USING A PVC CONNECTOR. MANUFACTURER: CARLON



GENERAL ABOVE GROUND CONDUIT RUN SHOWING COUPLING AND CONNECTOR
N.T.S.